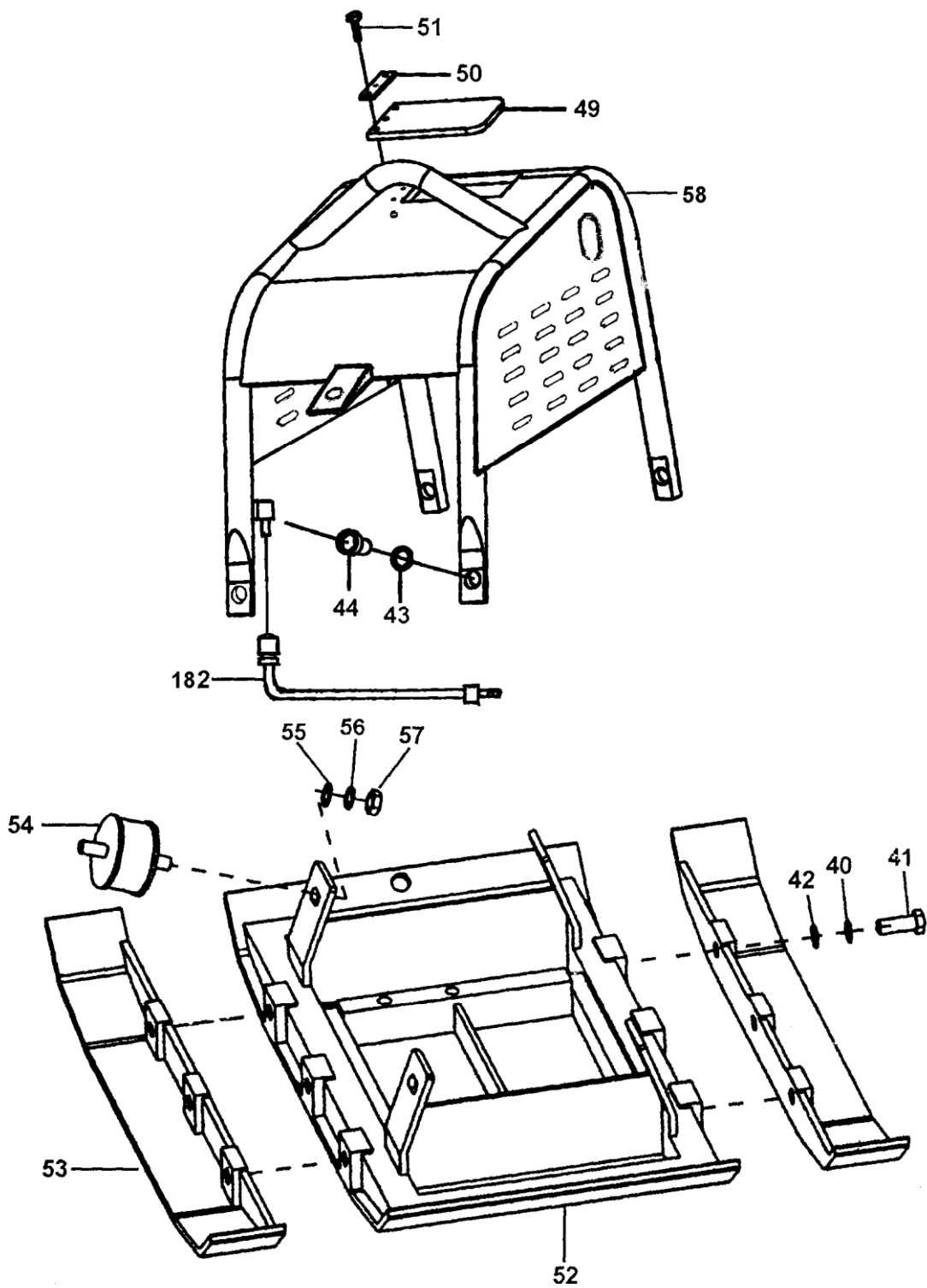


MS330 PARTS LIST 1

NOTE: ITEM NO.2 ASSEMBLY INCLUDING ITEM NO.59-93(PARTS CAN SUPPLIED SEPARATELY).
 ITEM NO.7 ASSEMBLY INCLUDING ITEM NO.124-139(PARTS CAN SUPPLIED SEPARATELY).
 ITEM NO.22 ASSEMBLY INCLUDING ITEM NO.140-181(PARTS CAN SUPPLIED SEPARATELY).

MS330 PARTS LIST 1

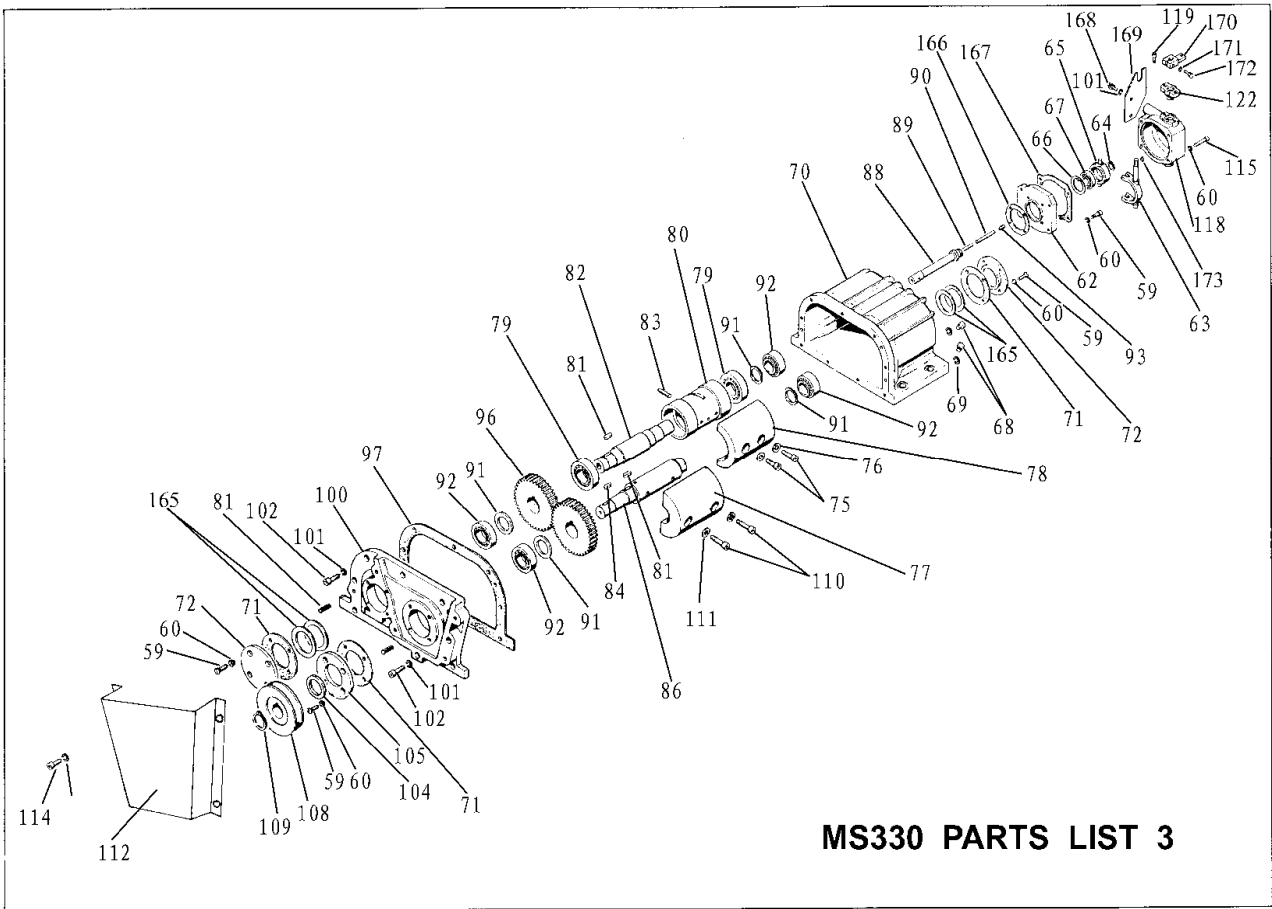
ITEM NO	PART NO	DESCRIPTION
1	H330100000	BASE PLATE ASSEMBLY
2	H330200000	VIBRATION BOX
3	T97.1-18	WASHER 18
4	T94.1-18	SPRING WASHER 18
5	T5781-M18X55	BOLT M18X55
6	H330600000-A	PROTECTION FRAME ASSEMBLY
7	H330300000	ENGINE MOUNTING PLATE ASSEMBLY
8	T6185.1-M6	BOLT M6
9	T97.1-6	WASHER 6
10	T94.1-6	NUT M6
11	H330400001	PROTECTION GUARD
12	T97.1-10	WASHER 10
13	T94.1-10	SPRING WASHER 10
14	T5781-M10X100	BOLT M10X100
15	T5781-M8X30	BOLT M8X30
16	T94.1-8	SPRING WASHER 8
17	T97.1-8	WASHER 8
18	H330400002	ANGLE PLATE
19	H330400003	WIRE (L)
20	H330400004	WIRE (R)
21	H330400005	BATTERY
22	H330500000-A	HANDLE ASSEMBLY
23	T97.1-16	WASHER 16
24	T94.1-16	SPRING WASHER 16
25	T5781-M16X55	BOLT M16X55
26	H330700001	V-BELT GUARD
27	T5781-M10X30	BOLT M10X30
28	T94.1-10	SPRING WASHER 10
29	T97.1-10	WASHER 10
30	H330700002-1	V-BELT FOR DIESEL ENGINE
	H330700002-2	V-BELT FOR PETROL ENGINE
31	H330800001-1	SCREW M10X1.25X25 FOR DIESEL
	H330800001-2	SCREW 7/16-20 FOR PETROL ENGINE
32	H330800002-1	SPRING WASHER 10 FOR DIESEL ENGINE
	H330800002-2	SPRING WASHER 12 FOR PETROL
33	H330800003-1	WASHER 10 FOR DIESEL ENGINE
	H330800003-2	WASHER 12 FOR PETROL ENGINE
34	H330800004-1	ENGINE PULLEY FOR DIESEL
	H330800004-2	ENGINE PULLEY FOR CHINESE
	H330800004-3	ENGINE PULLEY FOR ROBIN
	H330800004-4	ENGINE PULLEY FOR HONDA
35	H330800005-1	KEY B6X40 GB1096 FOR DIESEL ENGINE
	H330800005-2	KEY 1/4X1 1/2 FOR PETROL ENGINE
36	T97.1-10	WASHER 10
37	T94.1-10	SPRING WASHER 10
38	T5781-M10X50	BOLT M10X50
39	H330900000-1	DIESEL ENGINE



MS330 PARTS LIST 2

MS330 PARTS LIST 2

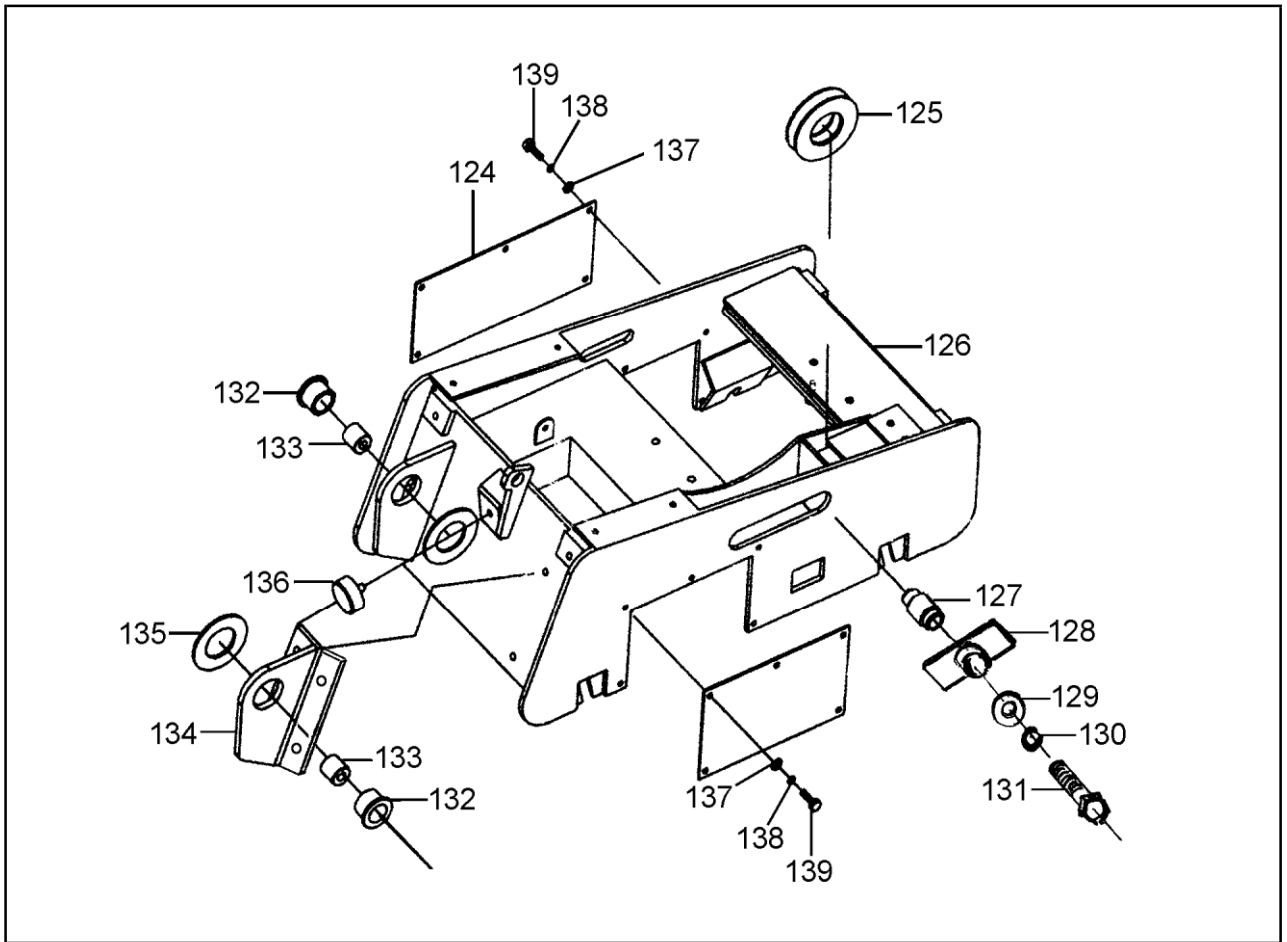
ITEM NO	PART NO	DESCRIPTION
40	T94.1-20	SPRING WASHER 20
41	T5781-M20X55	BOLT M20X55
42	T97.1-20	WASHER 20
43	T94.1-12	SPRING WASHER 12
44	T70.1-M12X40	BOLT M12X40
49	H330600002	RUBBER PLATE
50	H330600003	FIXING PLATE
51	T5781-M8X30	BOLT M8X30
52	H330100001	BASE PLATE
53	H330100002	EXTENSION PLATE
54	H330100003	VIBRATION DAMPER
55	T97.1-16	WASHER 16
56	T94.1-16	SPRING WASHER 16
57	T6185.1-M16	NUT M16
58	H330600004-A	PROTECTION FRAME
182	H330600005	OIL DRAIN PIPE



MS330 PARTS LIST 3

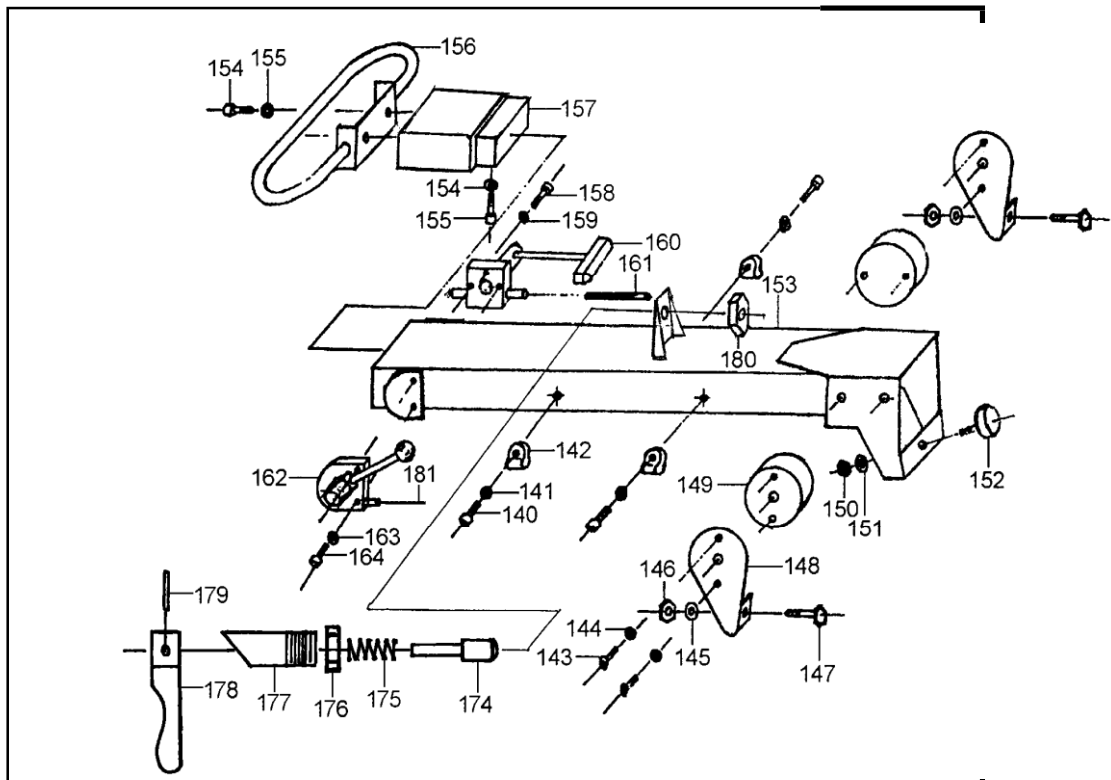
ITEM NO	PART NO	DESCRIPTION
59	T70.1-M8X25	BOLT M8X25
60	T94.1-8	SPRING WASHER 8
62	H330200001	PLATE
63	H330200002	SPINDLE
64	T894.1-20	RETAINING RING 20
65	H330200003	STEEL RING
66	T893.1-47	RETAINING RING 47
67	T276-204	BEARING 204
68	T5781-M14X1.5	BOLT M14X1.5
69	T97.1-14	WASHER 14
70	H330200004	EXCITER BOX
71	H330200005	COVER GASKET
72	H330200006	BEARING COVER
73	T94.1-8	SPRING WASHER 8
74	T5781-M8X20	BOLT M8X20
75	T5781-M12X25	BOLT M12X25
76	T94.1-12	SPRING WASHER 12
78	H330200007	UNBALANCE WEIGHT
77	H330200008	UNBALANCE WEIGHT
79	TSL183008A-C3	BEARING SL183008A-C3
80	H330200009	ROTARY COVER
81	T1096-A8X25	KEY 8X25
82	H330200010	SPINDLE
83	H330200011	PIN
84	T1096-A8X25	KEY 8X25
85	T1096-A8X25	KEY 8X25
86	H330200012	PULLEY SHAFT
87	TSL183008A-C3	BEARING
88	H330200013	SPINDLE
89	H330200014	PIN 6.5X60
90	H330200015	PIN 6.5X60
91	H330200016	WASHER
92	T283-32206	BEARING 32206
93	T77-M8X20	SCREW M8X20
94	H330200017	WASHER

95	T283-32206	BEARING 32206
96	H330200018	GEAR
97	H330200019	SPACER
98	H330200020	WASHER
99	T283-32206	BEARING 32206
100	H330200021	BOX COVER
101	T94.1-10	SPRING WASHER 10
102	T5781-M10X30	BOLT M10X30
103	H330200022	SPACER
104	T13871-FB30X50	OIL SEAL FB30X50
105	H330200023	BEARING COVER
106	T94.1-8	SPRING WASHER 8
107	T5781-M8X20	BOLT M8X20
108	H330200024	PULLEY
109	T894.1-28	RETAINING RING 28
110	T70.1-M12X40	BOLT M12X40
111	T94.1-12	SPRING WASHER 12
112	H330200025	BELT GUARD
113	T94.1-8	SPRING WASHER 8
114	T70.1-M8X16	BOLT M8X16
115	T5781-M8X60	BOLT M8X60
116	T94.1-8	SPRING WASHER 8
117	T97.1-8	WASHER 8
118	H330200026	DIRECTION HOUSING
119	T5781-M8X16	BOLT M8X16
120	T97.1-8	WASHER 8
121	T94.1-8	SPRING WASHER 8
122	H330200027	SELF-LUBRICATED BEARING
165	H330200028	SHIM
166	H330200029	SEAL
167	H330200030	SEAL
168	T5781-M10X25	BOLT M10X25
169	H330200031	SHIFTER PLATE
170	H330200032	SHIFTER ARM
171	T94.1-6	SPRING WASHER 6
172	T5781-M6X30	BOLT M6X30
173	H330200033	FORK KEY



MS330 PARTS LIST 4

ITEM NO	PART NO	DESCRIPTION
124	H330300001	OVERING PLATE
125	H330300002	ADJUSTING PULLEY
126	H330300003	ENGINE MOUNTING PLATE
127	H330300004	COLLAR
128	H330300005	ASSEMBLING PLATE
129	T97.1-16	WASHER 8
130	T94.1-16	SPRING WASHER 8
131	T5781-M16X55	BOLT M16X55
132	H330300006	NYLON COLLAR
133	H330300007	STEEL RING
134	H330300008	SUPPORTING PLATE
135	H330300009	NYLON WASHER
136	H330300010	RUBBER MOUNT
137	T97.1-8	WASHER 8
138	T94.1-8	SPRING WASHER 8
139	T5781-M8X20	BOLT M8X20



MS330 PARTS LIST 5

ITEM NO	PART NO	DESCRIPTION
140	T5781-M8X20	BOLT M8X20
141	T94.1-8	SPRING WASHER 8
142	H330500001	CLIP
143	T703-M8X20	SCREW M8X20
144	T861.1-8	WASHER 8
145	T97.1-10	WASHER 10
146	T6185.1-10	NUT M10
147	T5781-M10X30	SCREW M10X30
148	H330500002	STOP PLATE
149	H330500003	RUBBER MONUT
150	T5781-M10X25	BOLT M10X25
151	T94.1-10	SPRING WASHER 10
152	H330500004	VIBRATION DAMPER
153	H330500005-A	HANDLE
154	T94.1-10	SPRING WASHER 10
155	T5781-M10X25	BOLT M10X25
156	H330500006	HANDLE
157	H330500007	ASSEMBLING CAST
158	T5781-M6X50	BOLT M6X50
159	T94.1-6	SPRING WASHER 6
160	H330500008	TRAVEL LEVER
161	H330500009	CABLE
162	H330500010	THROTTLE CONTROL
163	T94.1-6	SPRING WASHER 6
164	T5781-M6X35	BOLT M6X35
174	H330500011	PIN
175	H330500012	SPRING
176	H330500013	NUT
177	H330500014	SCREW ROD
178	H330500015	PULLING HANDLE
179	H330500016	KEY
180	H330500017	NUT
181	H330500018	THROTTLE WIRE ASSY

