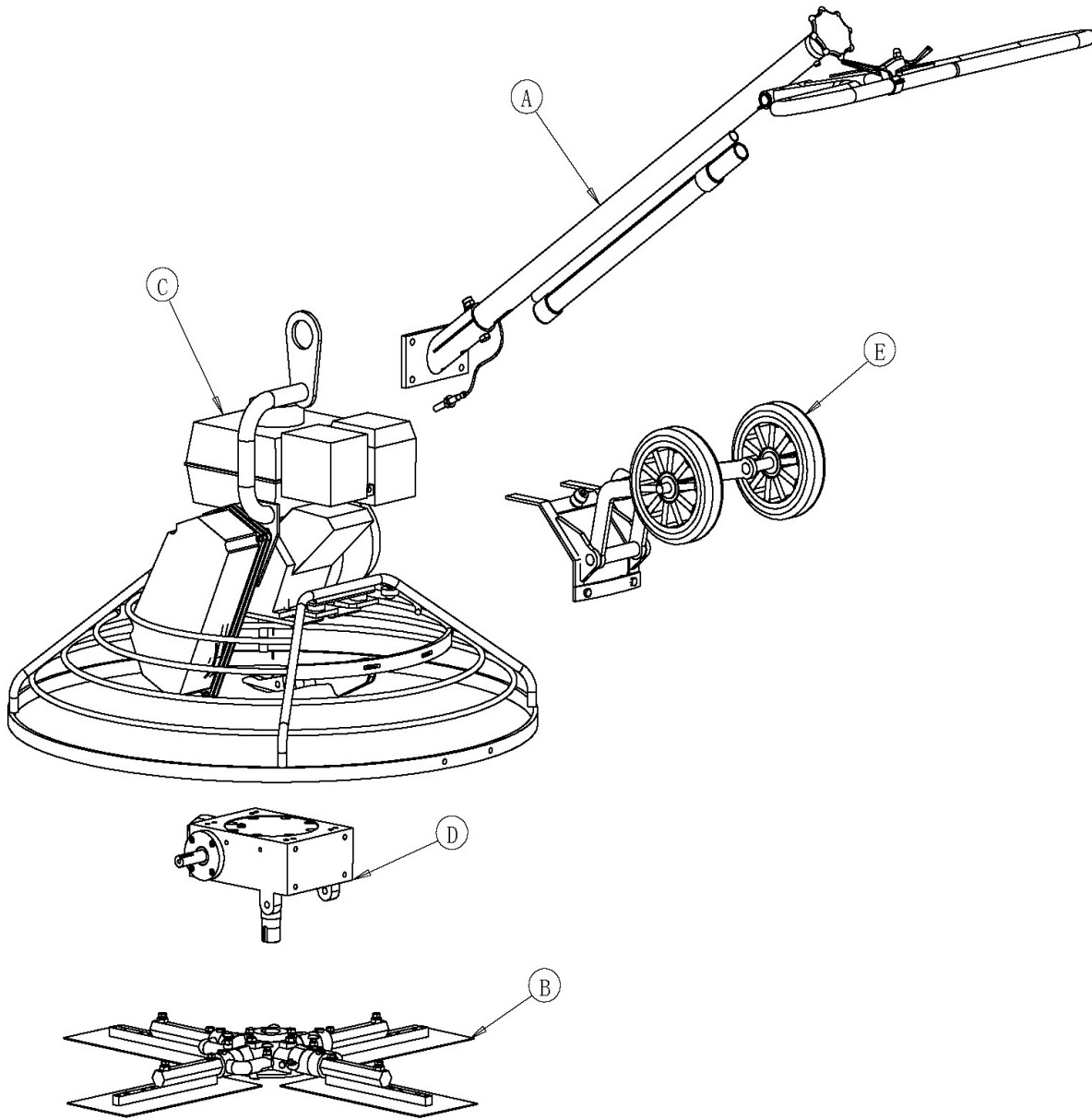
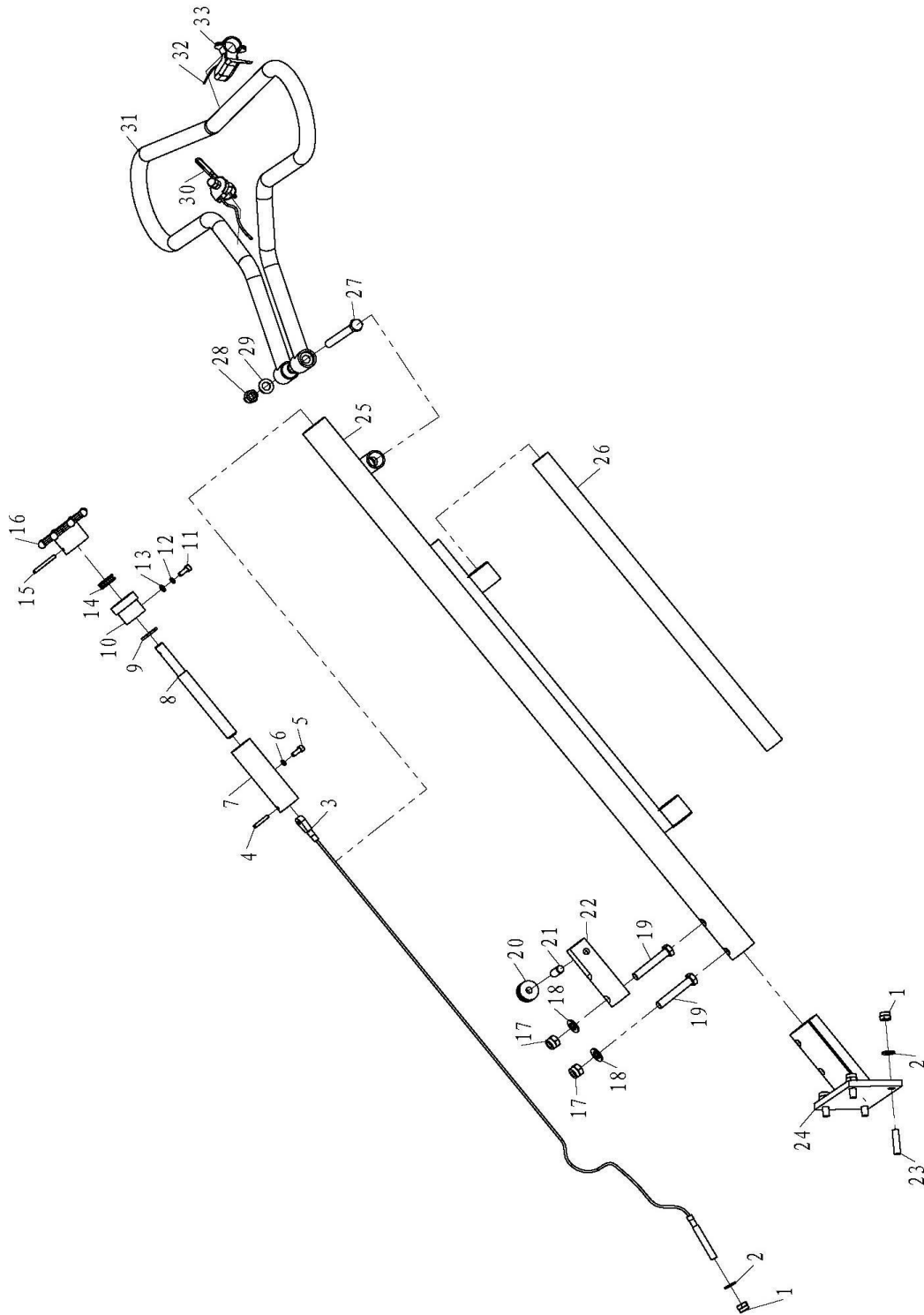


**PARTS LIST GENERAL
MT36/MT42/MT46**



A	M360100040-1	HANDLE ASSY. FOR MT36	1
	M360100040-2	HANDLE ASSY. FOR MT42/MT46	1
B	M360200003-1	SPIDER PLATE ASSY., MT36	1
	M360200003-2	SPIDER PLATE ASSY., MT42	1
	M360200003-3	SPIDER PLATE ASSY., MT46	1
C	M360200000-1	ENGINE AND PROTECTIVE FRAME FOR MT36	1
	M360200000-2	ENGINE AND PROTECTIVE FRAME FOR MT42	1
	M360200000-3	ENGINE AND PROTECTIVE FRAME FOR MT46	1
D	M360200058-1	GEARBOX ASSY.MT36	1
	M360200058-2	GEARBOX ASSY.MT42/46	1
E	M360400000	TRANSPORT WHEEL FOR MT36	1

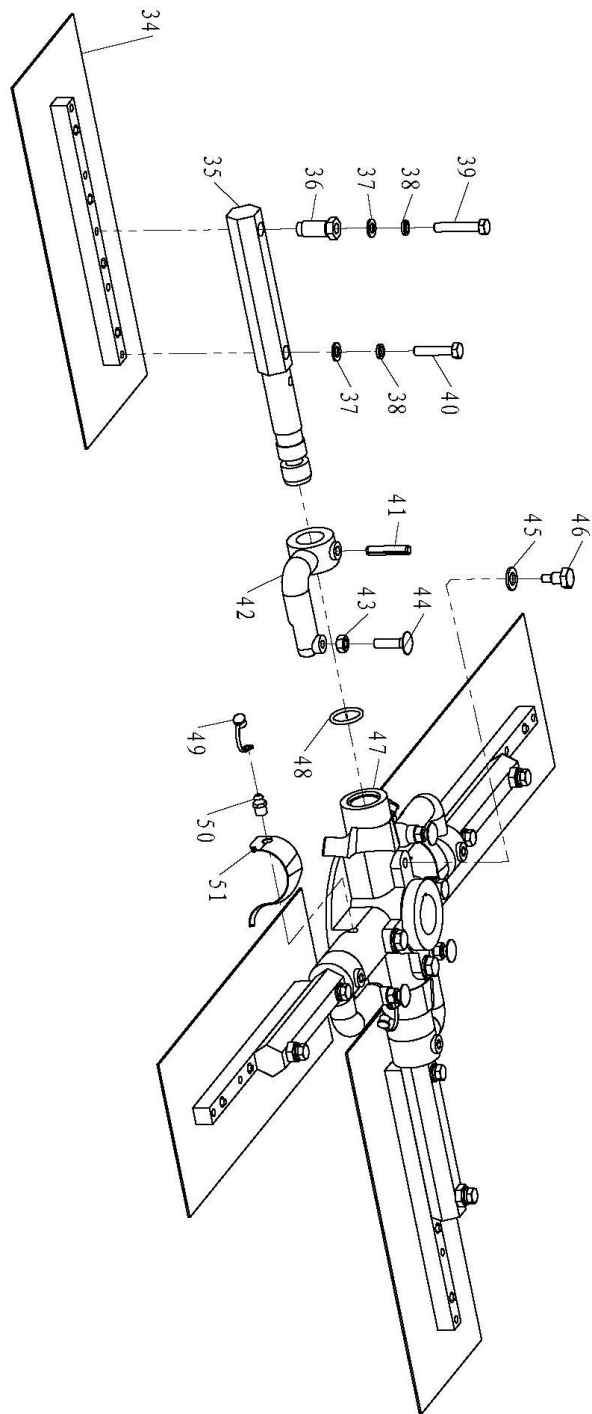
PARTS LIST 1
MT36/MT42/MT46



PARTS LIST 1
MT36/MT42/MT46

ITEM NO.	PART NO.	DESCRIPTION	QTY	REMARK
1	M360100031	LOCK SCREW Φ10	5	
2	M360100032	WASHER Φ10	5	
3	M360100018	WIRE.MT36	1	
	M360100018-1	WIRE.MT42/46	1	
4	M360100025	PIN	1	
5	M360100007	SCREW	1	
6	M360100033	SPRING WASHER	1	
7	M360100011	SHAFT, TROWEL CONTROL	1	
8	M360100013	BOLT	1	
9	M360100022	SPACER	1	
10	M360100012	COLLAR	1	
11	M360100026	SCREW	1	
12	M360100034	SPRING WASHER	1	
13	M360100035	SPACER	1	
14	M360100024	BERING	1	
15	M360100014	PIN	1	
16	M360100015	WHEEL, HAND HANDLE	1	
17	M360100005	NUT	2	
18	M360100036	SPACER	2	
19	M360100000	SCREW	2	
20	M360100003	PULLEY, SUPPORT BLOCK	1	
21	M360100004	PIN, SUPPORT BLOCK	1	
22	M360100002	BLOCK SUPPORT	1	
23	M360100037	STUD BOLT M10*40 (A)	4	
24	M360100001	BRACKET	1	
25	M360100027-1	BRACKET, HANDLE ADJUSTABLE, MT36	1	
25	M360100027-2	BRACKET, HANDLE ADJUSTABLE, MT42/46	1	
26	M360100006-1	LIFTING TUBE, MT36	1	
26	M360100006-2	LIFTING TUBE, MT42 & MT46	1	
27	M360100028	SCREW	1	
28	M360100029	NUT	1	
29	M360100038	SPACER	1	
30	M360100009	THROTTLE CONTROL	1	
31	M360100030	HANDLE ADJUSTABLE	1	
32	M360100039	CABLE	2	
33	M360100010	SAFETY STOP SWITCH ASSY.	1	

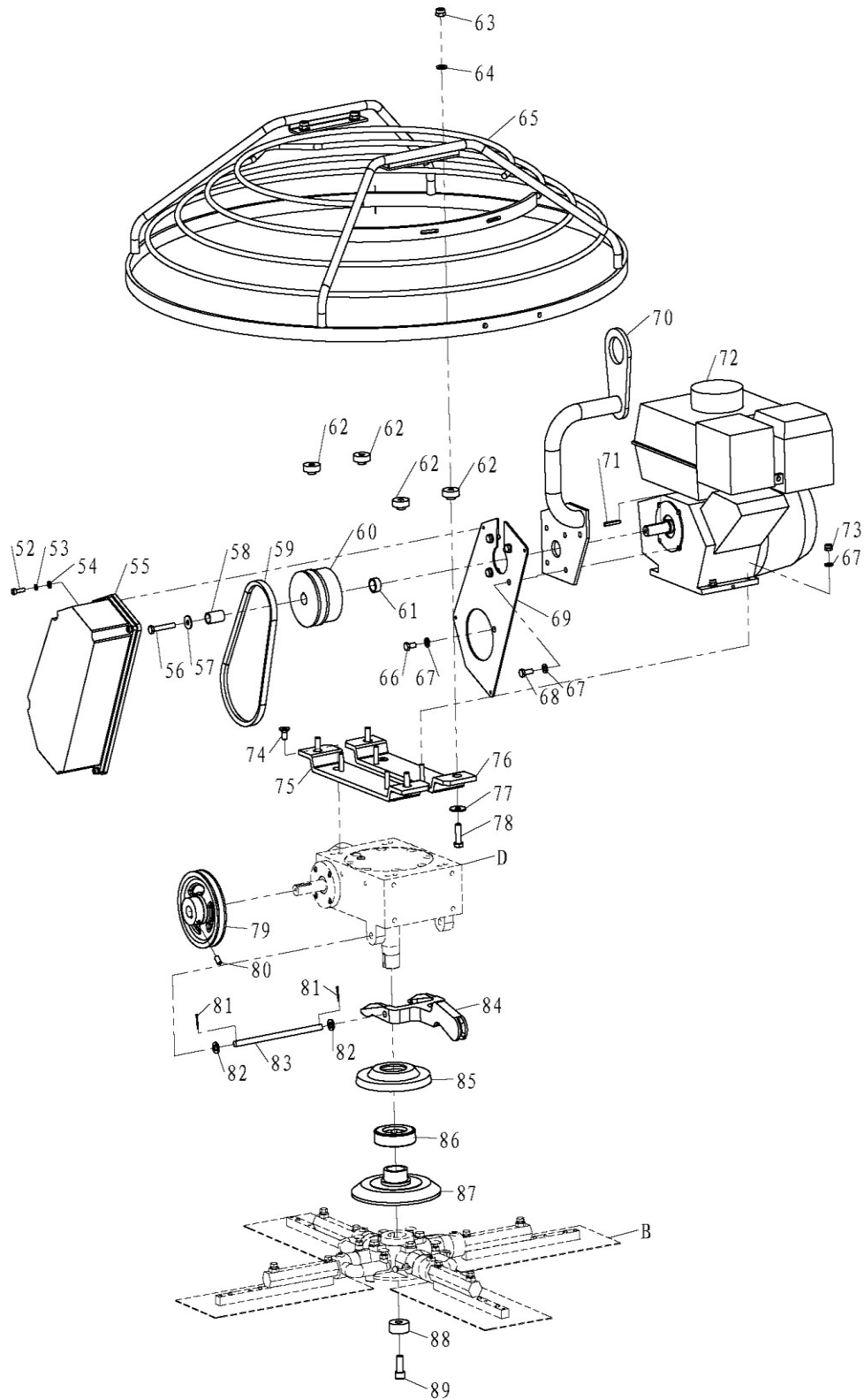
PARTS LIST 2
MT36 /MT42/MT46



PARTS LIST 2
MT36/MT42/MT46

ITEM NO.	PART NO.	DESCRIPTION	QTY	REMARK
34	M360200009-1	BLADE, MT36	4	
34	M360200009-2	BLADE, MT42	4	
34	M360200009-3	BLADE, MT46	4	
35	M360200010-1	TROWEL ARM EXTENDED, MT36	4	
35	M360200010-2	TROWEL ARM EXTENDED, MT42 & MT46	4	
36	M360200059	BOLT FOR ADJUSTING BLADE M14*1.0	4	
37	M360200011	SPACER	8	
38	M360200012	SPRING WASHER	8	
39	M360200013	SCREW	4	
40	M360200060	SCREW	4	
41	M360200016	ROLL PIN	4	
42	M360200014	TROWEL ARM LEVER	4	
43	M360200018	NUT	4	
44	M360200017	RADIUS HEAD SCREW	4	
45	M360200061	SPACER	4	
46	M360200062	SCREW M10*20	4	
47	M360200019	SPIDER PLATE ONLY	1	
48	M360200063	O RING 30*3.0	4	
49	M360200064	COVER	4	
50	M360200022	SCREW	4	
51	M360200020	SPRING PLATE	4	

PARTS LIST 3
MT36/MT42/MT46



PARTS LIST 3
MT36/MT42/MT46

ITEM NO.	PART NO.	DESCRIPTION	QTY	REMARK
52	M360200027-1	SCREW M6 FOR MT36	4	
	M360200027-2	SCREW M6*25 FOR MT42/MT46	4	
53	M360200065	SPRING WASHER 6	4	
54	M360200028	SPACER	4	
55	M360200029-1	BELT GUARD, MT36	1	
	M360200029-2	BELT GUARD, MT42 & MT46	1	
56	M360200045-1	SCREW FOR KEY 20MM	1	
	M360200045-2	SCREW FOR KEY 19.05MM	1	
	M360200045-3	SCREW FOR KEY 25MM	1	
	M360200045-4	SCREW FOR KEY 25.4MM	1	
57	M360200047-1	SPACER FOR MT36	1	
	M360200047-2	SPACER FOR MT42 & MT46	1	
58	M360200066	PIPE	1	
59	M360200044-1	BELT, MT36,	1	
	M360200044-2	BELT, MT42 & MT46	1	
60	M360200048-1	36CLUTCH ASSY.	1	
	M360200048-2	42/46CLUTCH ASSY.	1	
61	M360200050	WASHER	1	
62	M360200036	RUBBER WASHER	4	
63	M360200035	NUT	4	
64	M360200067	FLAT WASHER 10	4	
65	M360200038-1	GUARD RING ASSY., MT36	1	
	M360200038-2	GUARD RING ASSY., MT42/46	1	
66	M360200068	SCREW FOR KEY 25MM	1	
67	M360200041	SPACER	9	
68	M360200069	HEX HEAD SCREW (OPTIONAL)	4	
69	M360200031-1	MOUNTING PLATE, BELT GUARD MT36		
	M360200031-2	MOUNTING PLATE, BELT GUARD FOR HONDA ENGINE MT42/MT46		
	M360200031-3	MOUNTING PLATE, BELT GUARD FOR CHINA PETROL ENGINE MT42/MT46		
	M360200031-4	MOUNTING PLATE, BELT GUARD FOR ROBIN ENGINE MT42/MT46		
70	M360200049-1	LIFTING HOOK, MT36 (OPTIONAL)		
70	M360200049-2	LIFTING HOOK, MT42 & MT46 (OPTIONAL)		
71	M360200054	KEY		
72	M360200055-1	CHINESE PETROL ENGINE 5.5HP, MT36		
	M360200055-2	ROBIN PETROL ENGINE 5.5HP, MT36		
	M360200055-3	HONDA PETROL ENGINE 5.5HP, MT36		

1

1

1

1

1

1

1

1

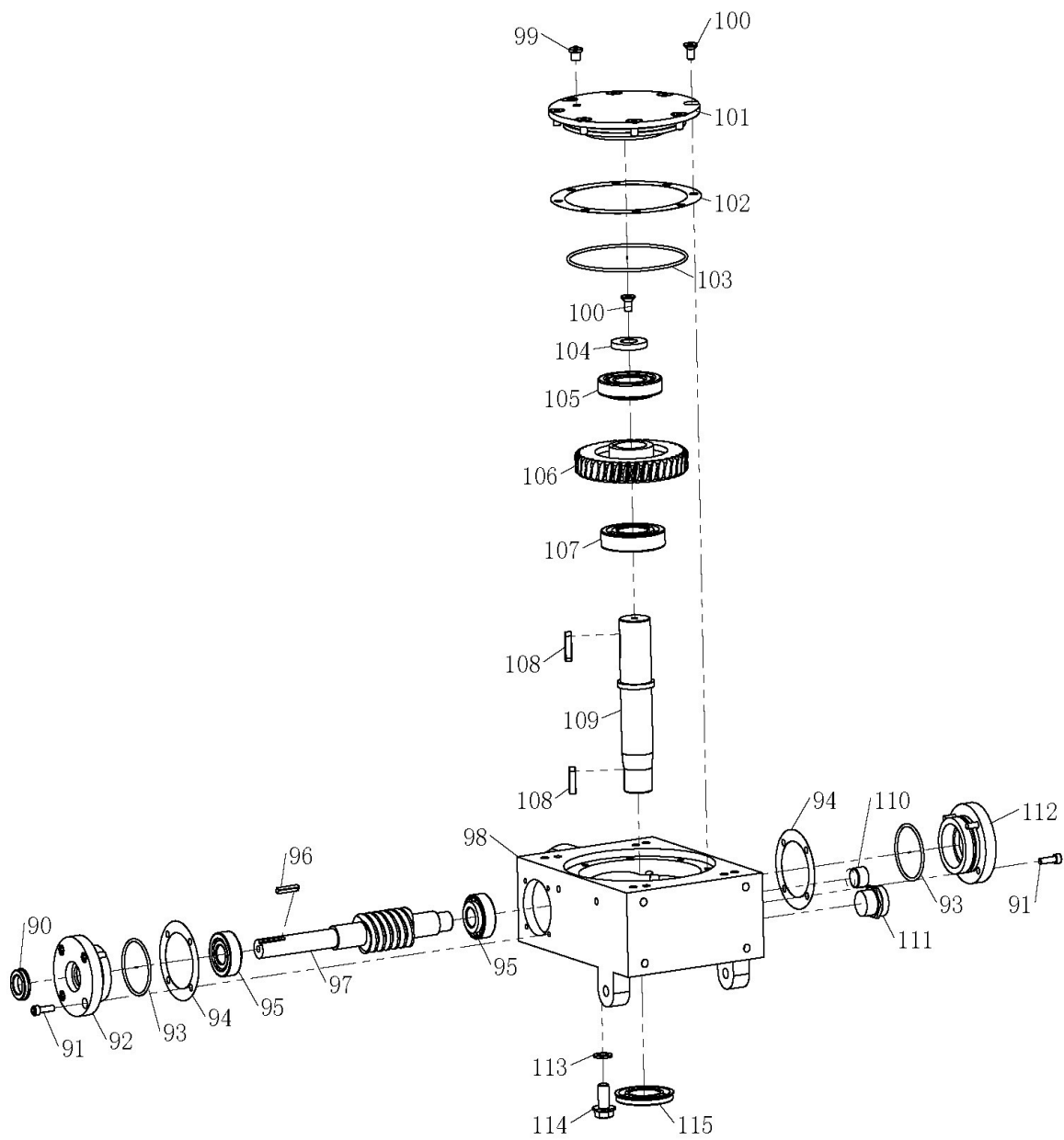
1

1

PARTS LIST 3
MT36/MT42/MT46

ITEM NO.	PART NO.	DESCRIPTION	QTY	REMARK
	M360200056-1	CHINESE PETROL ENGINE 8HP, MT42	1	
	M360200056-2	ROBIN PETROL ENGINE 9HP, MT42 & MT46	1	
	M360200056-3	HONDA PETROL ENGINE 8HP, MT42	1	
	M360200057-1	CHINESE PETROL ENGINE 9HP, MT46	1	
	M360200057-2	HONDA PETROL ENGINE 9HP, MT46	1	
73	M360200043	NUT	4	
74	M360200034	SCREW, FLAT HEAD	4	FOR MT36
		SCREW, FLAT HEAD	8	FOR MT42 AND MT46
75	M360200030-1	FRONT ENGINE MOUNTING PLATE.MT36	1	
	M360200030-2	FRONT ENGINE MOUNTING PLATE.MT42/46	1	
76	M360200037-1	REAR ENGINE MOUNTING PLATE.MT36	1	
	M360200037-2	REAR ENGINE MOUNTING PLATE.MT42/46	1	
77	M360200070	SPACER	4	
78	M360200039	SCREW	4	
79	M360200032	PULLEY	1	
80	M360200071	SOCKET HEAD SCREW M8×16	1	
81	M360200072	SPRING PIN Φ 2.5×16	2	
82	M360200024	WASHER	2	
83	M360200023	PIN, YOKE	1	
84	M360200008	ARM, YOKE	1	
85	M360200007	WEAR RING	1	
86	M360200006	BEARING	1	
87	M360200005	WEAR PLATE	1	
88	M360200002	SPACER	1	
89	M360200001	SCREW MIZ	1	

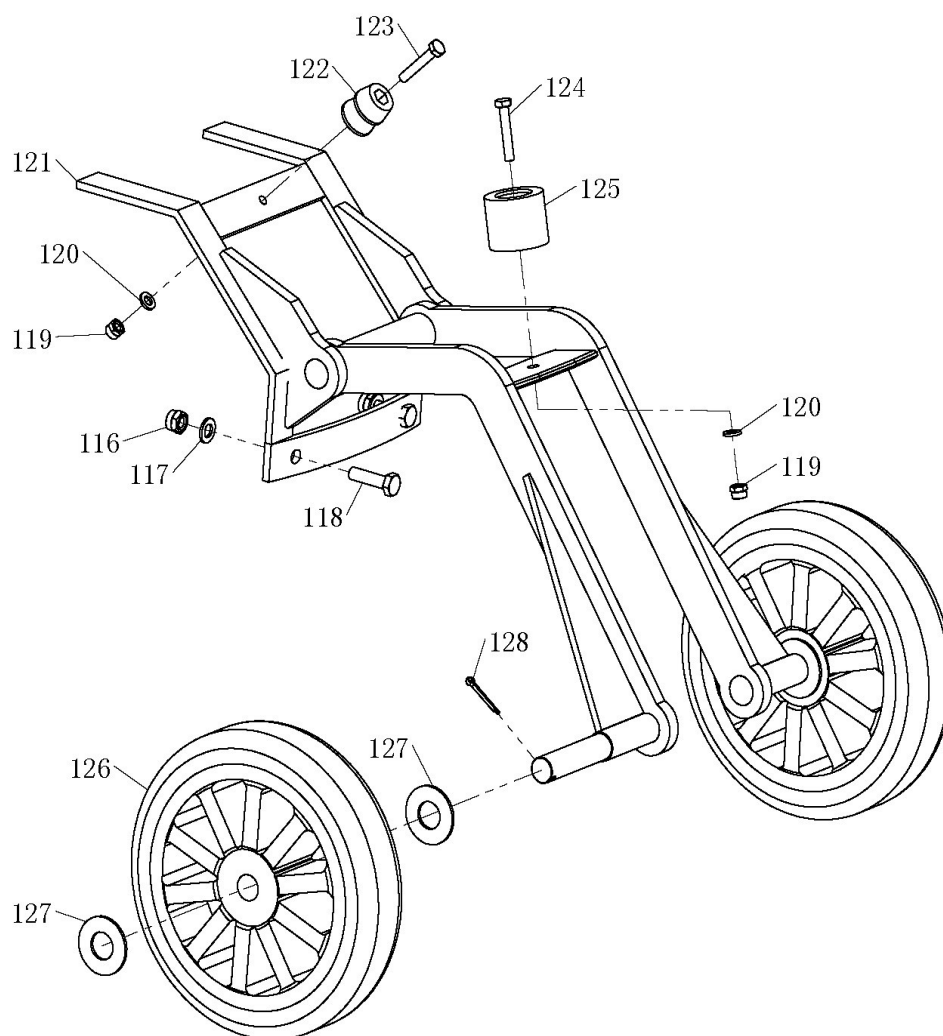
PARTS LIST 4
MT36/MT42/MT46



PARTS LIST 4
MT36/MT42/MT46

ITEM NO.	PART NO.	DESCRIPTION	QTY	REMARK
90	M360300001	SEAL	1	
91	M360300002	SCREW	8	
92	M360300003	FLANGE, INPUT SHAFT	1	
93	M360300005	O-RING	2	
94	M360300004	PLATE, SEAL	2	型
95	M360300006	BEARING	2	
96	M360200033	KEY	1	
97	M360300007	GEAR, WORM & SHAFT ASSY.	1	
98	M360300010	CASE, GEAR	1	杆
99	M360300027	SCREW	1	本
100	M360300028	SCREW M8	9	
101	M360300026	COVER, GEAR BOX	1	
102	M360300025	SEAL	1	盖
103	M360300029	O-RING	1	
104	M360300023	SPACER	1	型
105	M360300022	BEARING	1	
106	M360300021	GEAR, WORM	1	
107	M360300020	BEARING	1	
108	M360200004	PIN	2	
109	M360300019	SHAFT	1	
110	M360300013	FITTING, PLUG	1	
111	M360300011	SIGHT GLASS	1	
112	M360300014	FLANGE	1	
113	M360300030	COPPER WASHER Φ12	1	盖
114	M360300031	HEX HEAD SCREW M12	1	
115	M360300009	SEAL, OIL	1	

PARTS LIST 5
MT36/MT42/MT46



PARTS LIST 5
MT36/MT42/MT46

ITEM NO.	PART NO.	DESCRIPTION	QTY	REMARK
116	M360400001	LOCK SCREW M8	2	
117	M360400002	WASHER 8	2	
118	M360400003	HEX HEAD BOLT M8*25	2	
119	M360400004	LOCK SCREW M6	2	
120	M360400005	WASHER 6	2	
121	M360400006	BRACKET FOR TRANSPORT WHEEL	1	
122	M360400007	RUBBER BLOCK A	1	
123	M360400008	SOCKET HEAD BOLT M6*30	1	
124	M360400009	HEX HEAD BOLT M6	1	
125	M360400010	RUBBER BLOCK B	1	
126	M360400011	WHEEL	2	
127	M360400012	FLAT SPRING	4	
128	M360400013	SPRING PIN	2	

